

**Q
H
E
A
T**

Quantitative Heat Oy

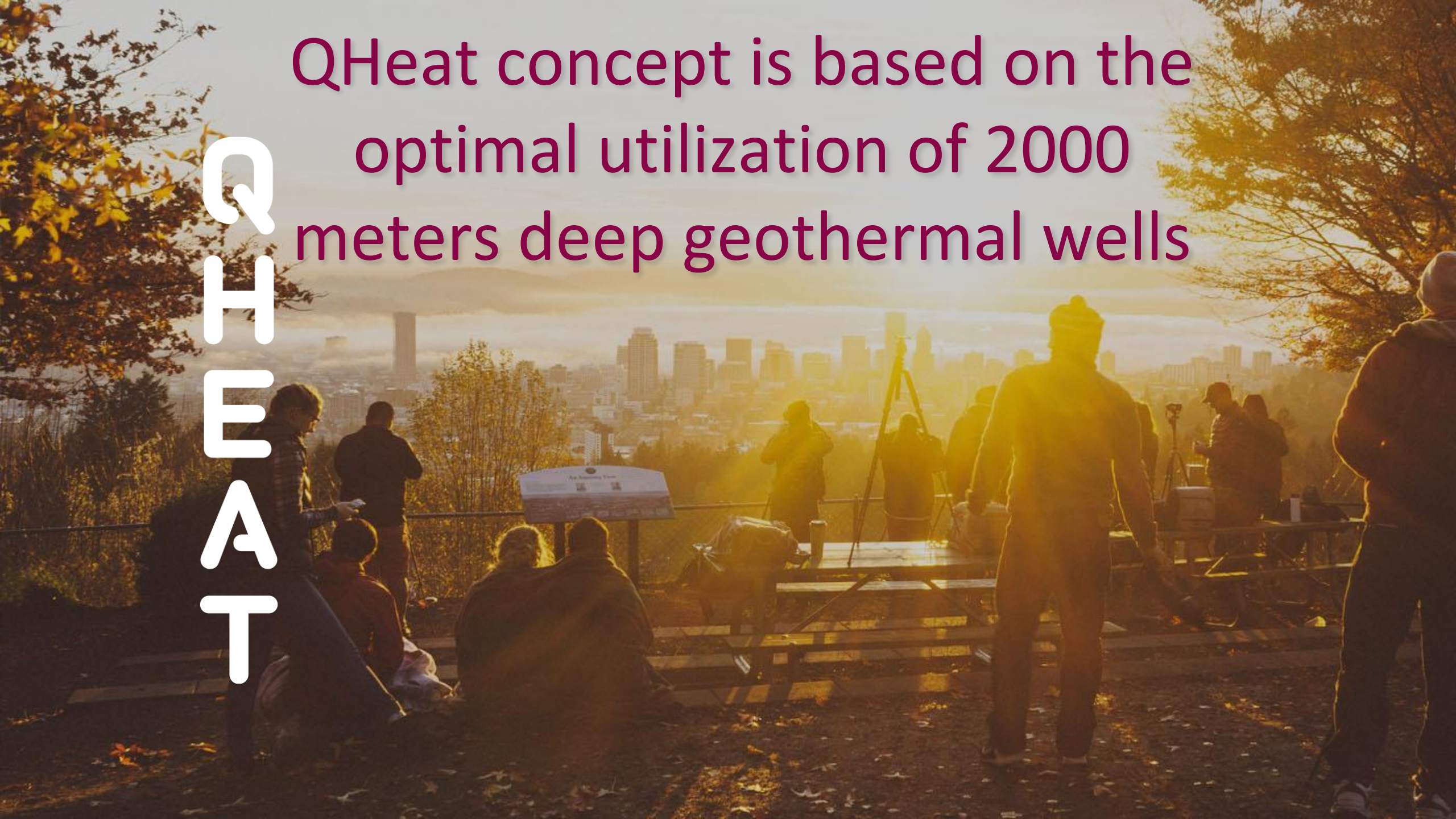
April 2019

Q H E A T

- Founded in June 2018
- Currently 3 full-time + 2 part-time employees
- **Our mission:** We'll be speeding up the transition to clean energy.
- **Our vision:** By 2024 we will have a significant role in the clean but volatile energy market. We will offer the best solutions for seasonal energy storing while providing clean heating and cooling energy for real estates.

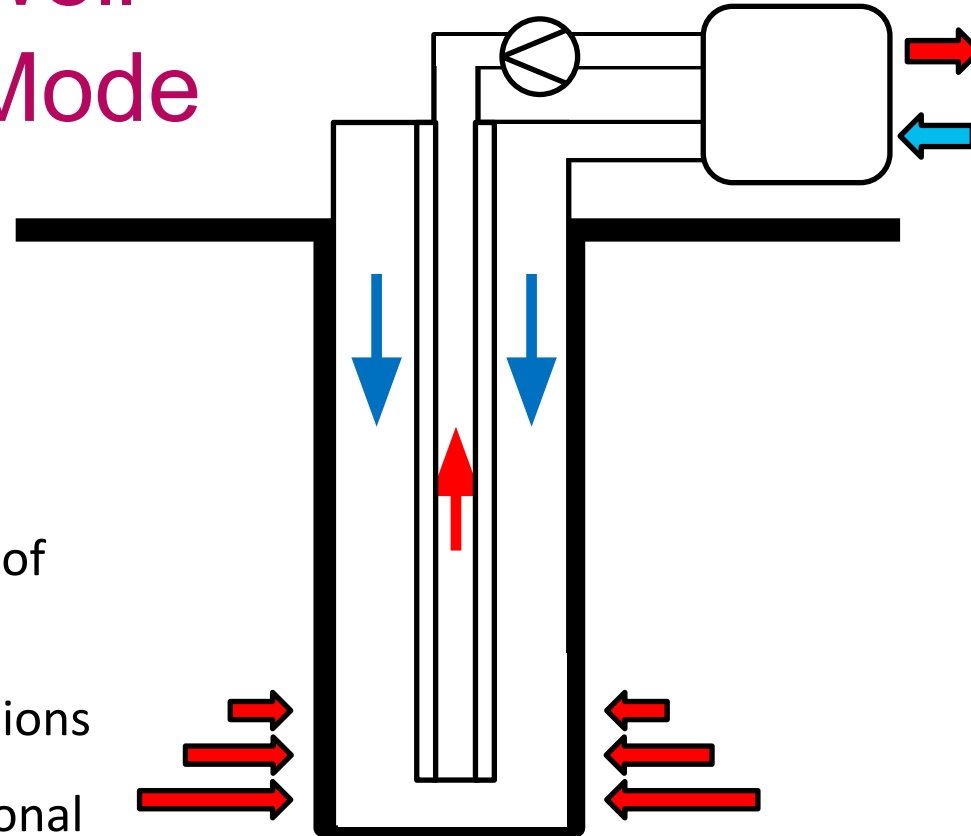
Q H E A T

QHeat concept is based on the optimal utilization of 2000 meters deep geothermal wells



Medium deep (2000 meters) geothermal well - In Heat Extraction Mode

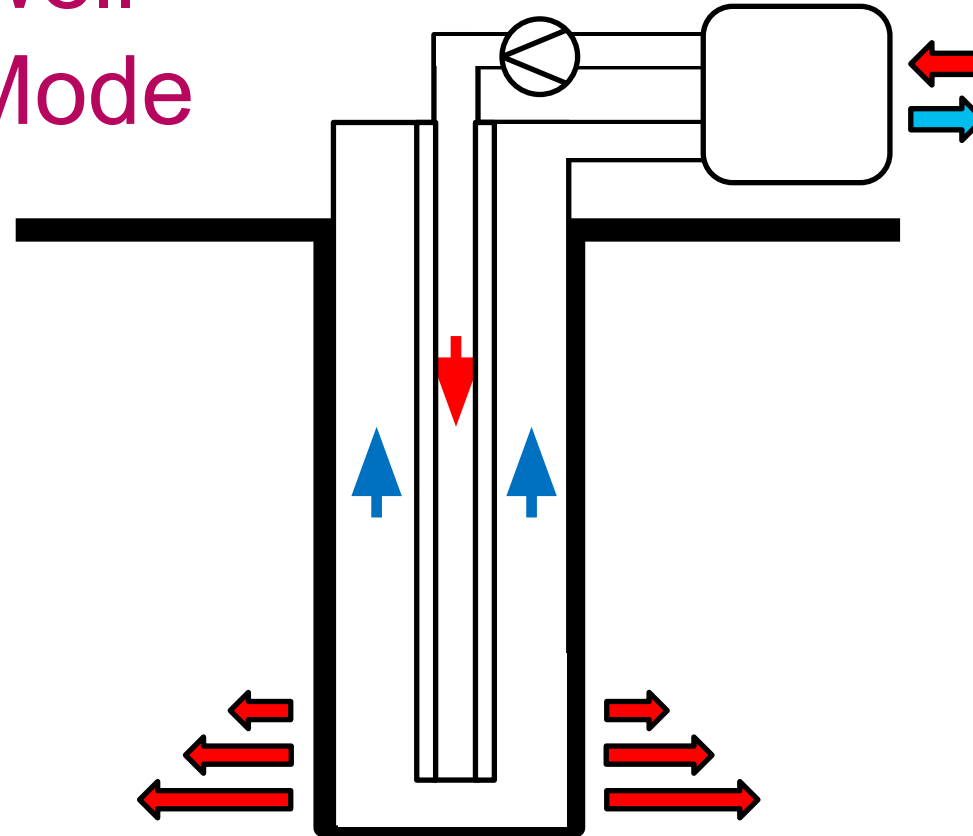
- Patented innovation including:
 - Coaxial current
 - Vacuum isolated inner pipe
- Heat / cooling for 20000 square meters of commercial real estate
- Immediate 95 % reduction in CO2 emissions
- Capacity equivalent of almost 40 traditional wells (300 meters)



Q
H
E
A
T

Medium deep (2000 meters) geothermal well - In Cold Extraction Mode

- Current direction is reversed
 - Difference in temperature maximizes
- Heat stores at the bottom
- Heat / cooling for 20000 square meters of commercial real estate



Q
H
E
A
T

Q H E A T

QHeat – Medium deep heat:

- Innovative technology with five filed patent applications
- A solution for clean energy production with immediate 95 % reduction in CO2 emissions
- Ability to provide both heating and cooling power
- Provides the flexibility component to the local heat / cooling network.

Q
H
E
A
T

Rami Niemi
CTO

+358 50 374 2441
rami.niemi@qheat.fi

Miska Eriksson
CEO

+358 400 869055
miska.eriksson@qheat.fi

Mikael Maksimow
COO

+358 50 330 8333
mikael.maksimow@qheat.fi

Clean future is stored right below us.

